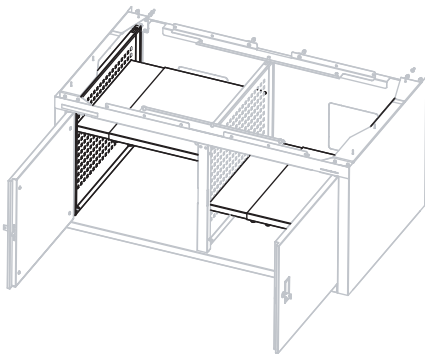
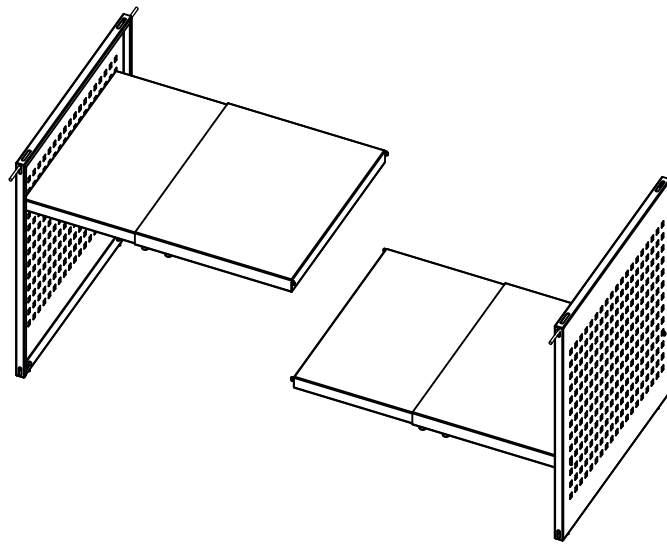
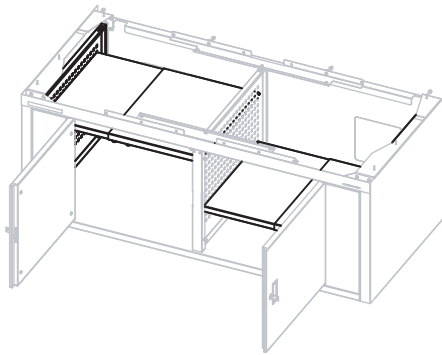


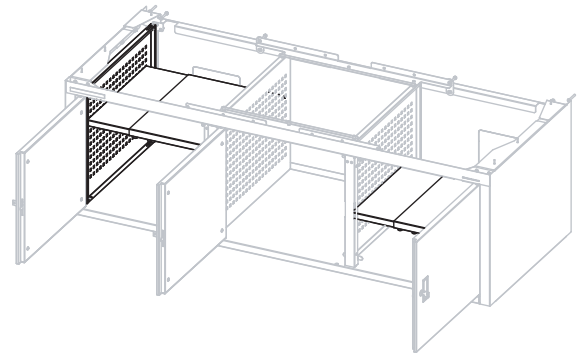
ΚΠ-TB LAB
ΚΡ-TV LAB



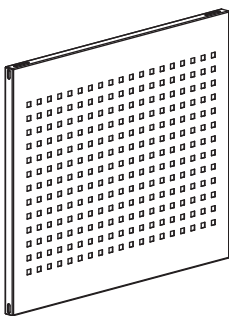
TB-12-7 LAB
TV-12-7 LAB



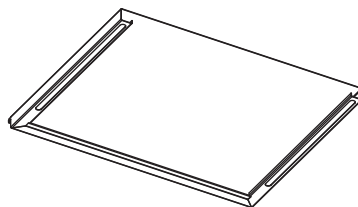
TB-15-7 LAB
TV-15-7 LAB



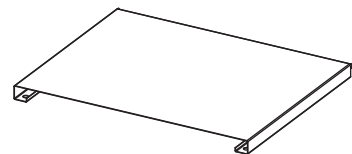
TB-18-7 LAB
TV-18-7 LAB




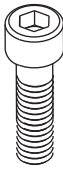
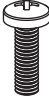

2x TB-15-7 LAB 00.00.00
TV-15-7 LAB 00.00.00



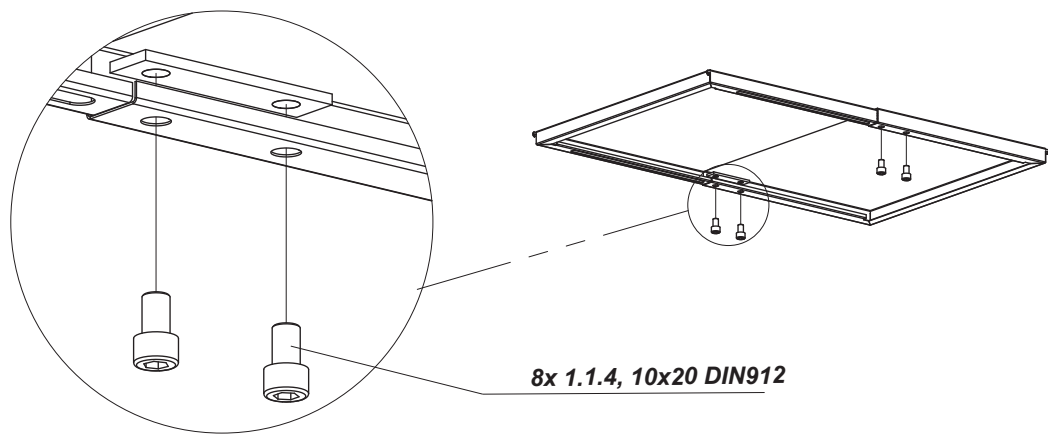
2x ΚΠ-TB LAB 01.00.01
ΚΡ-TV LAB 01.00.01



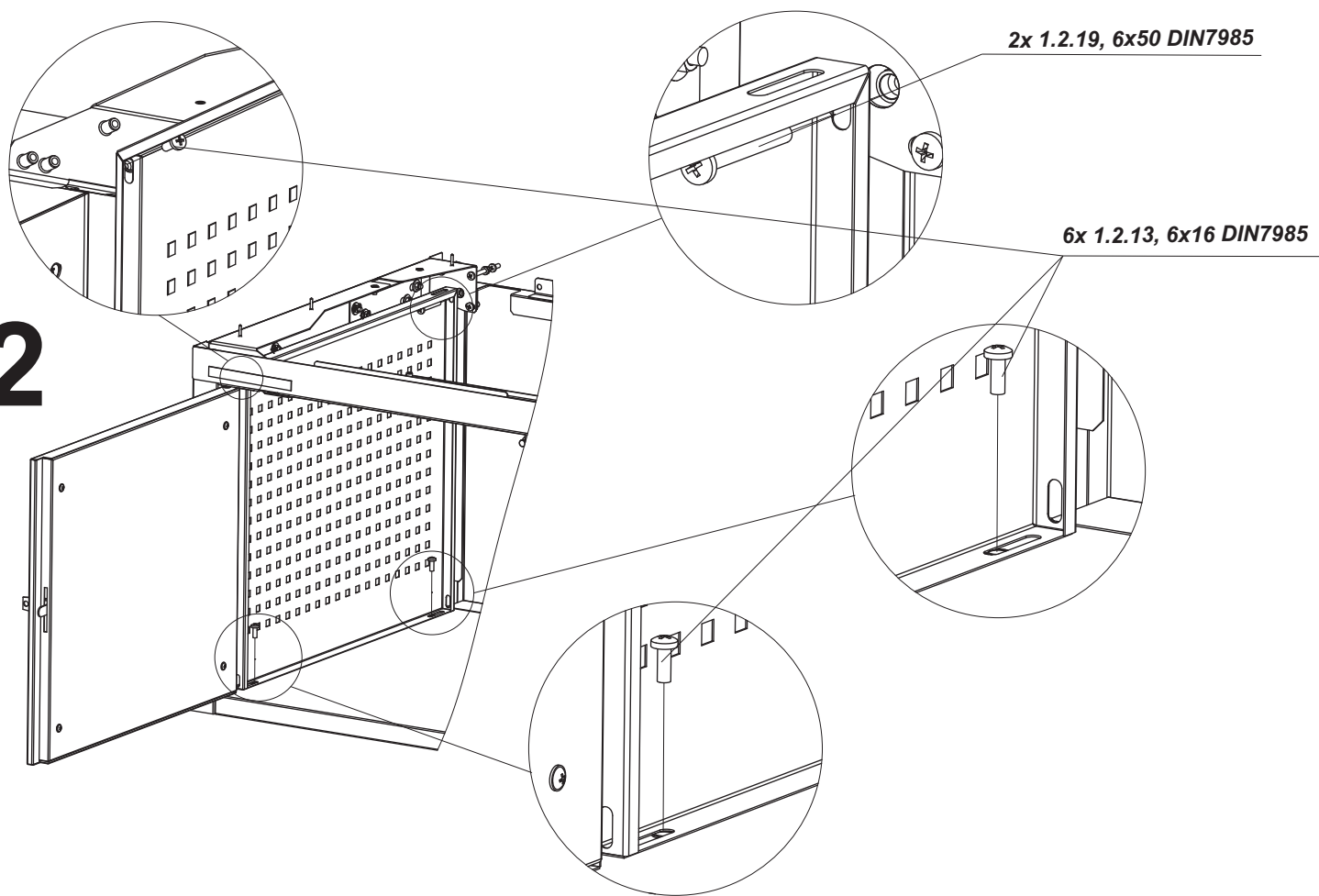
2x ΚΠ-TB LAB 01.00.02
ΚΡ-TV LAB 01.00.02

1.6.3	4x 	8x 1.1.4, 10x20 DIN912 	6x 1.2.13, 6x16 DIN7985 	2x 1.2.19, 6x50 DIN7985 
--------------	--	--	---	---

1



2



3

