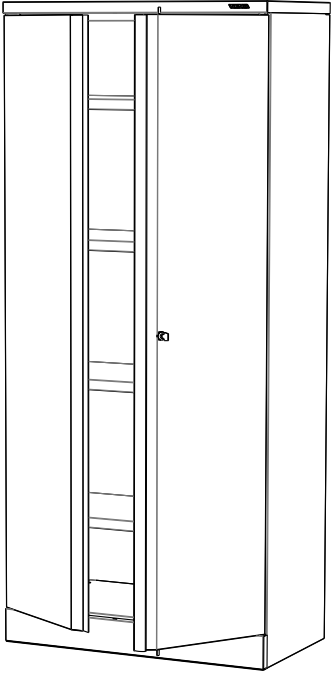
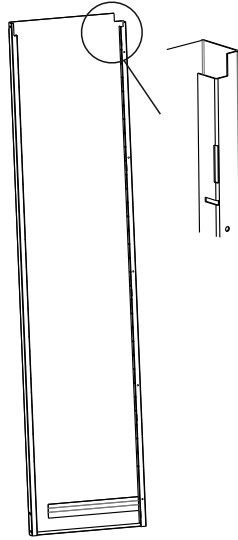


VIKING



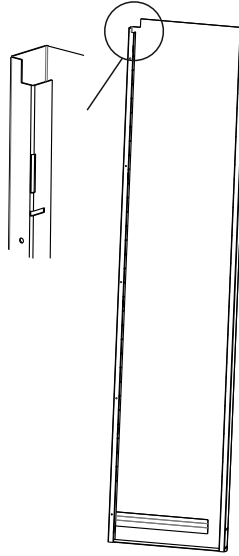
1x

SHD-XX.01.00-01



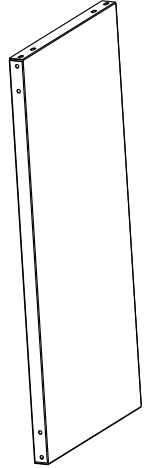
1x

SHD-XX.01.00



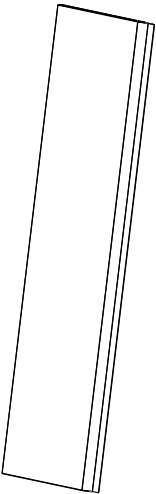
4x

PL-XX.00.00



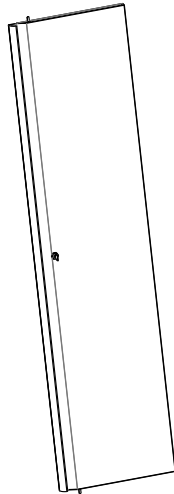
1x

SHD-XX.02.00



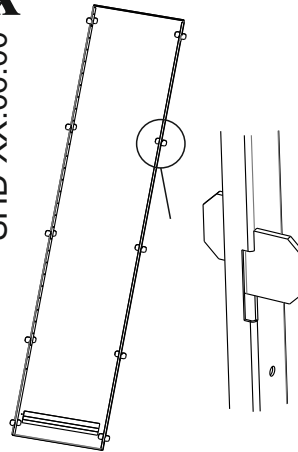
1x

SHD-XX.03.00



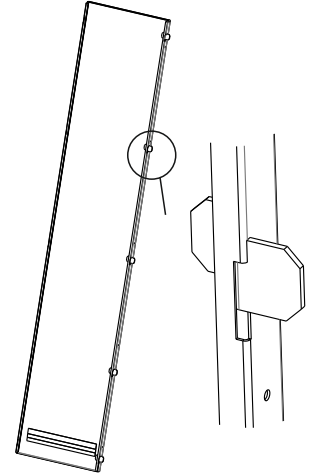
1x

SHD-XX.06.00



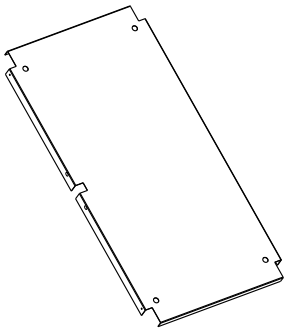
1x

SHD-XX.07.00



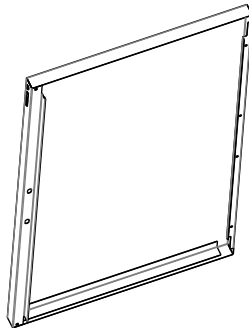
1x

SHD-XX.05.00



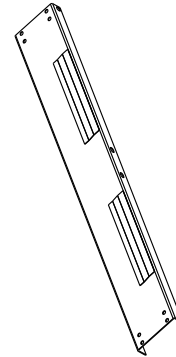
1x

SHD-XX.04.00



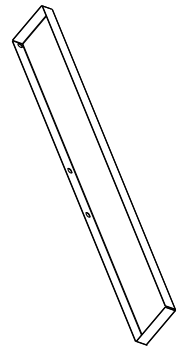
1x

SHD-XX.08.00



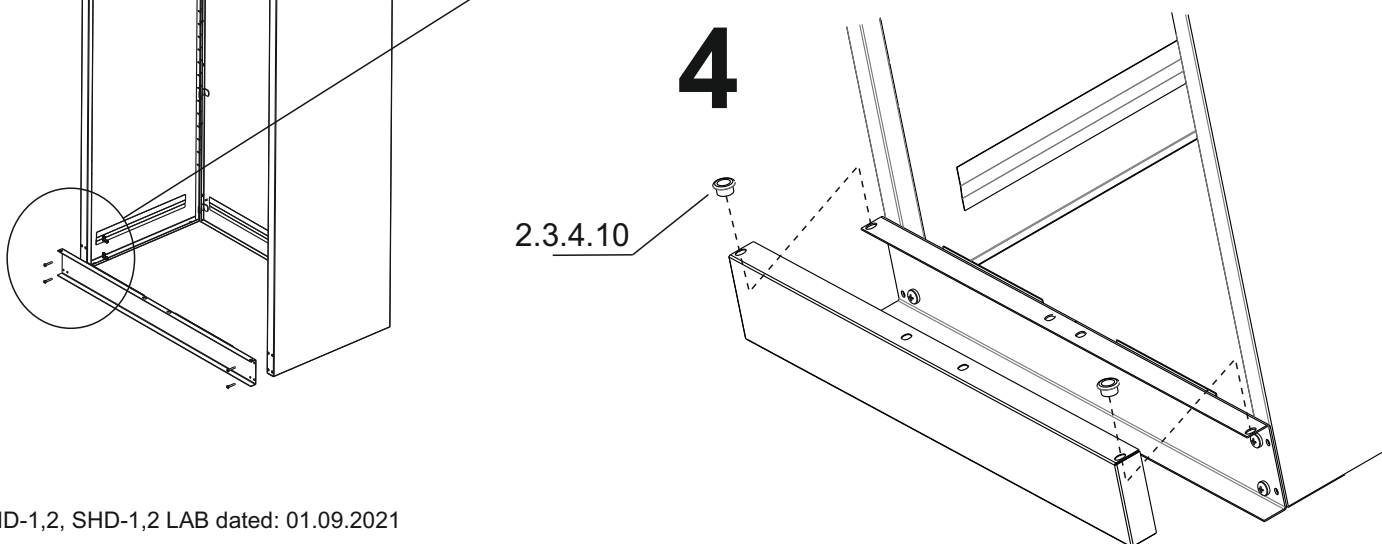
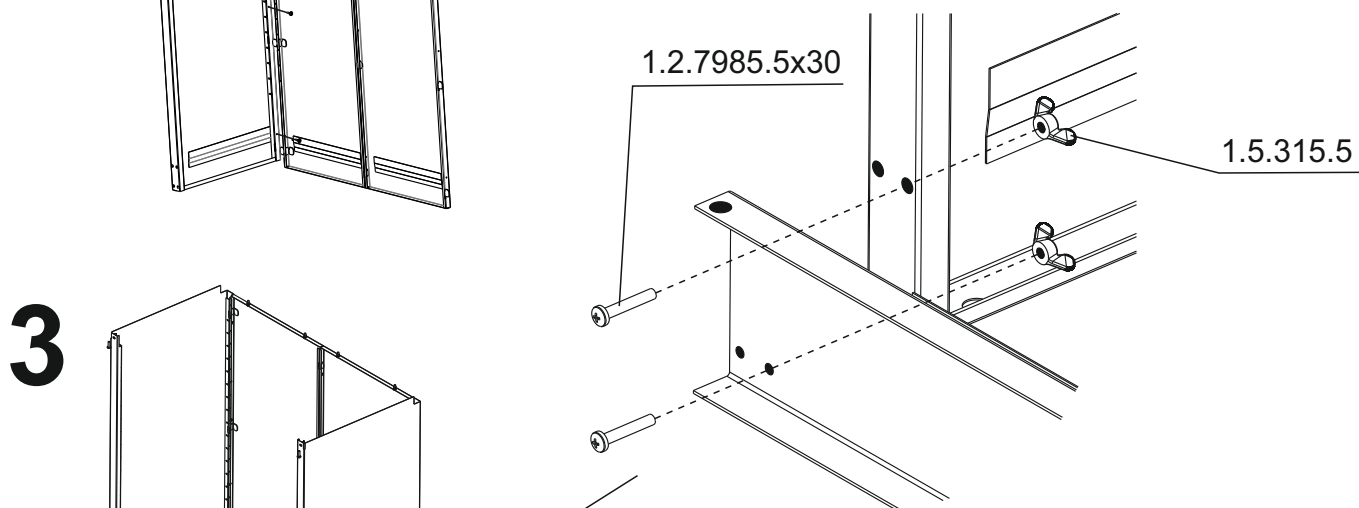
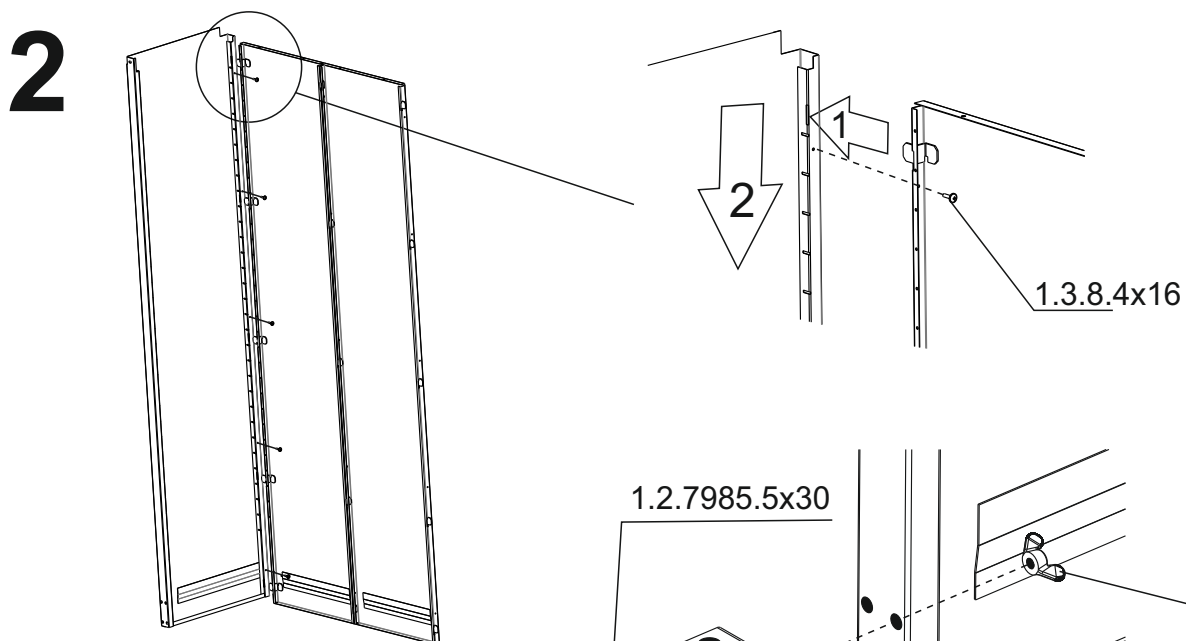
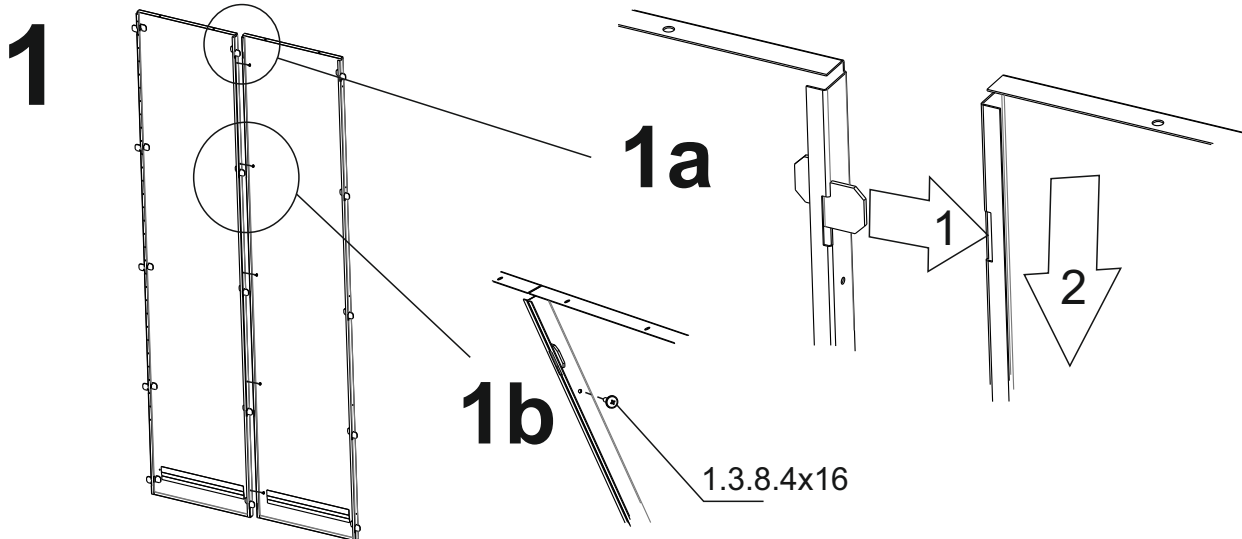
1x

SHD-XX.00.01

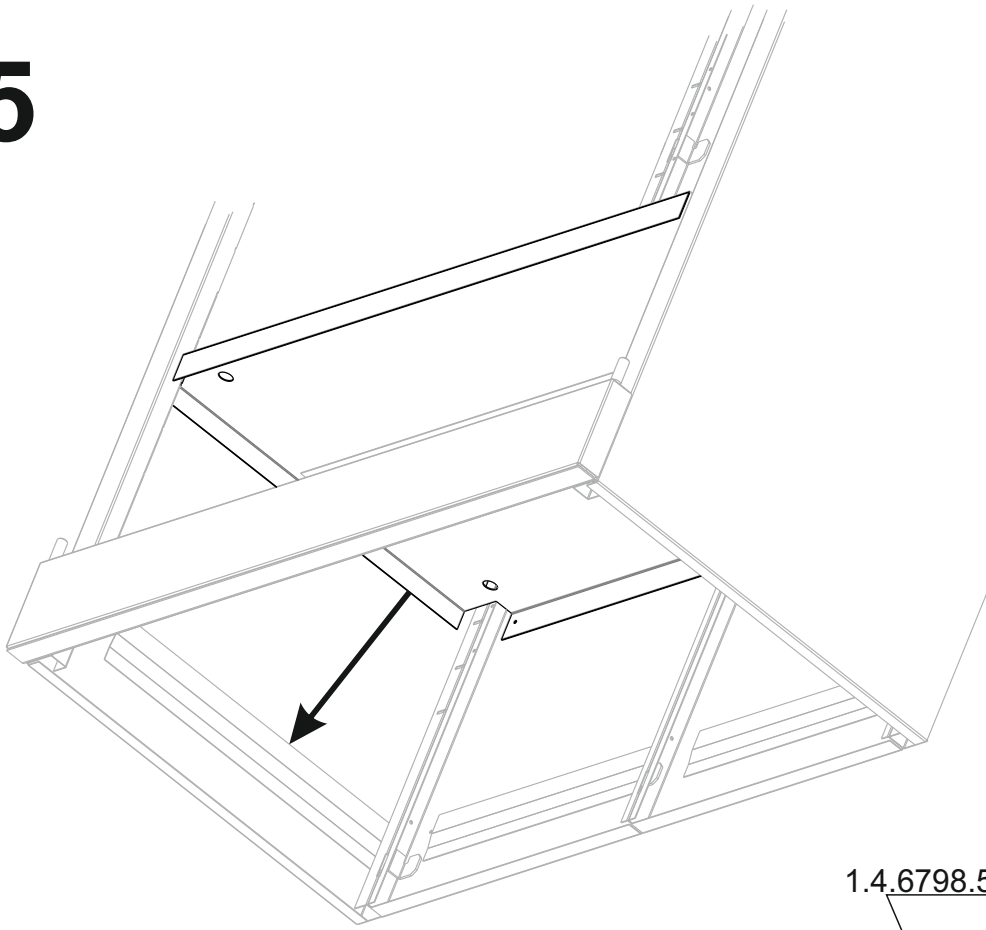


<p>16x</p> <p>2.4.4.1</p>	<p>2x</p> <p>2.3.4.10</p>	<p>4x</p> <p>1.2.7.985.5x16</p>	<p>4x</p> <p>1.2.7.985.6x30</p>	<p>4x</p> <p>1.2.7.985.5x30</p>	<p>4x</p> <p>1.5.934.5</p>	<p>6x</p> <p>1.5.315.5</p>	<p>4x</p> <p>1.4.67.98.5</p>	<p>4x</p> <p>1.4.125.6</p>	<p>15x</p> <p>1.3.8.4x16</p> <p>IF ESD 20x</p>	<p>1x</p> <p>2.5.1</p> <p>IF ESD</p>
----------------------------------	----------------------------------	--	--	--	-----------------------------------	-----------------------------------	-------------------------------------	-----------------------------------	--	---

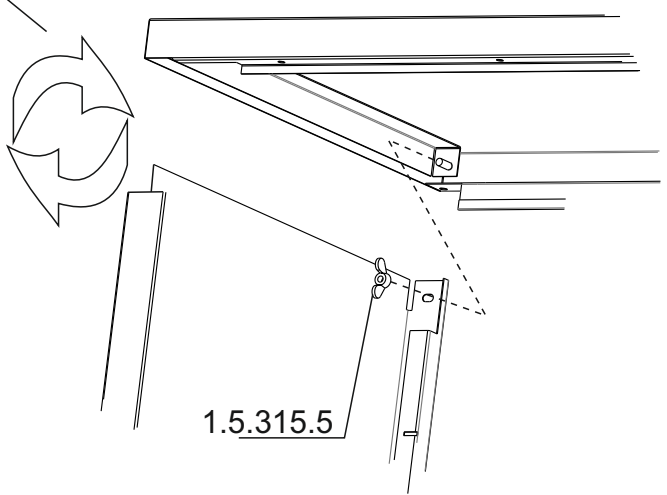
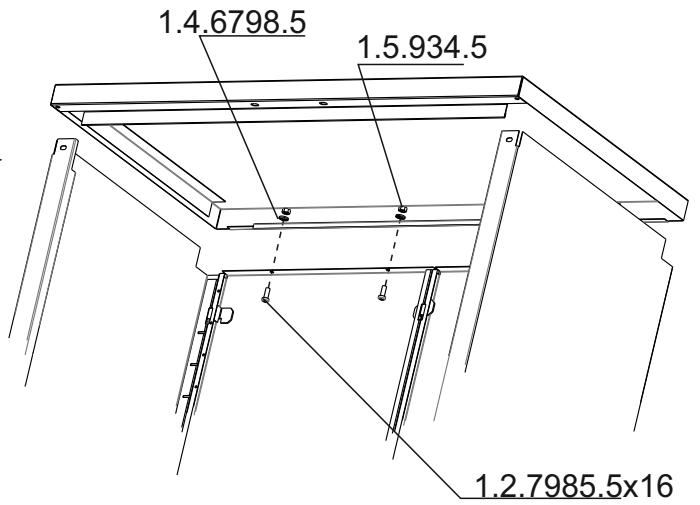
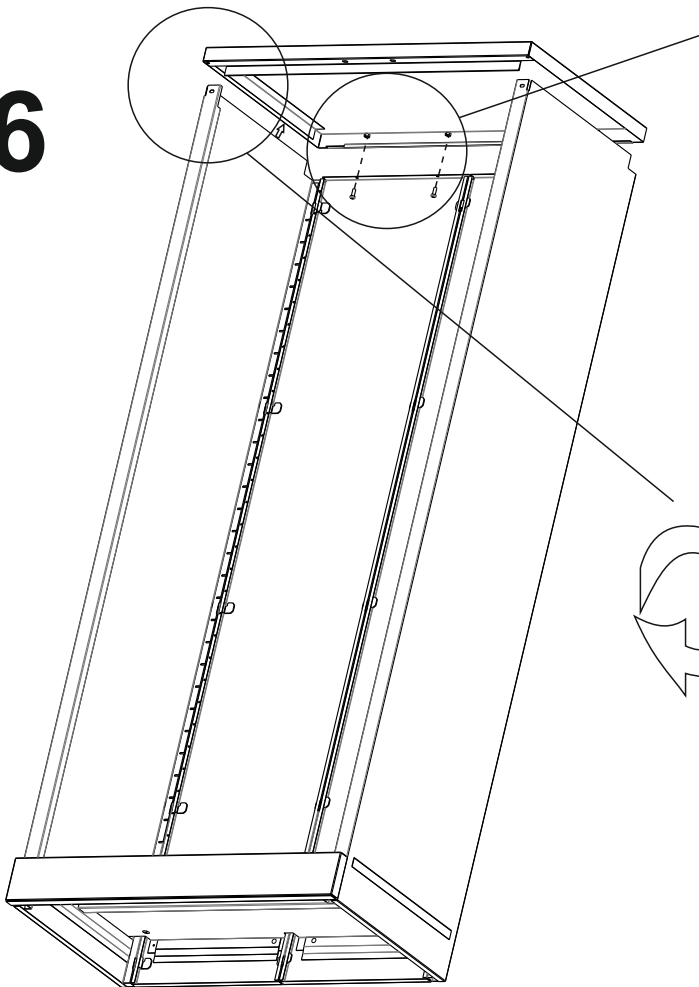
L=2000mm



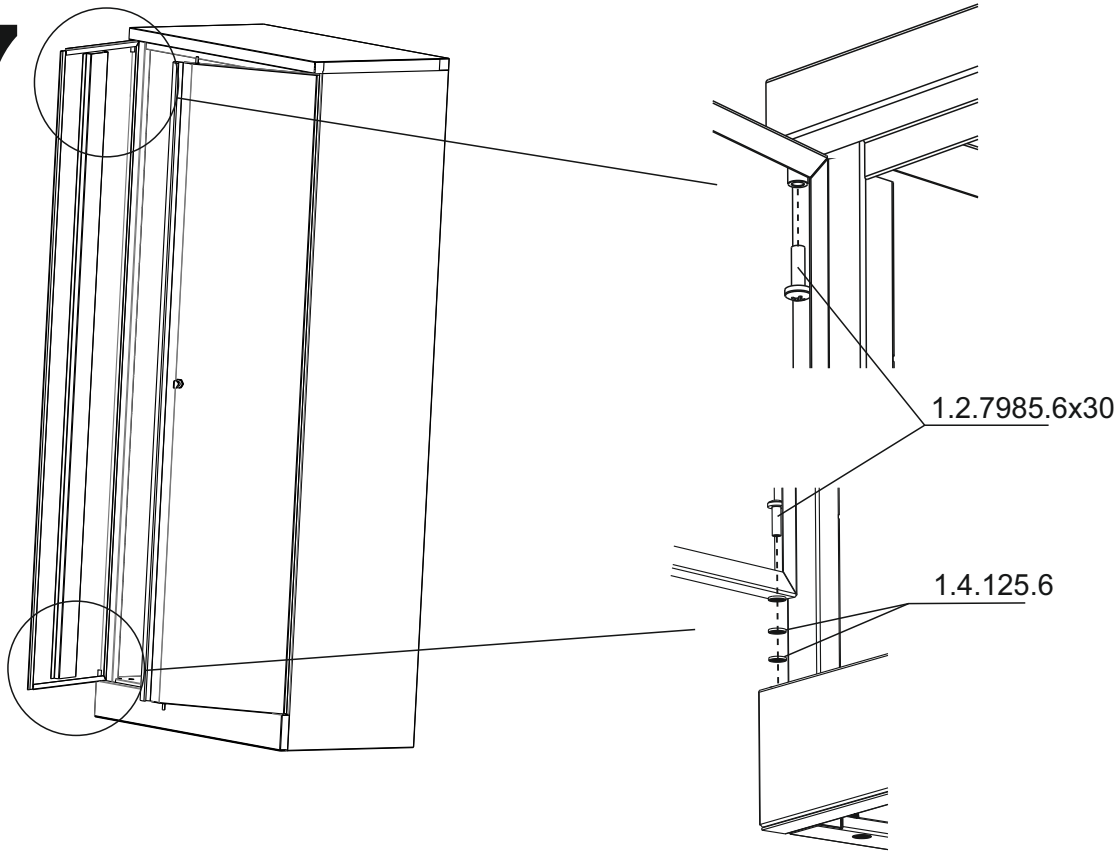
5



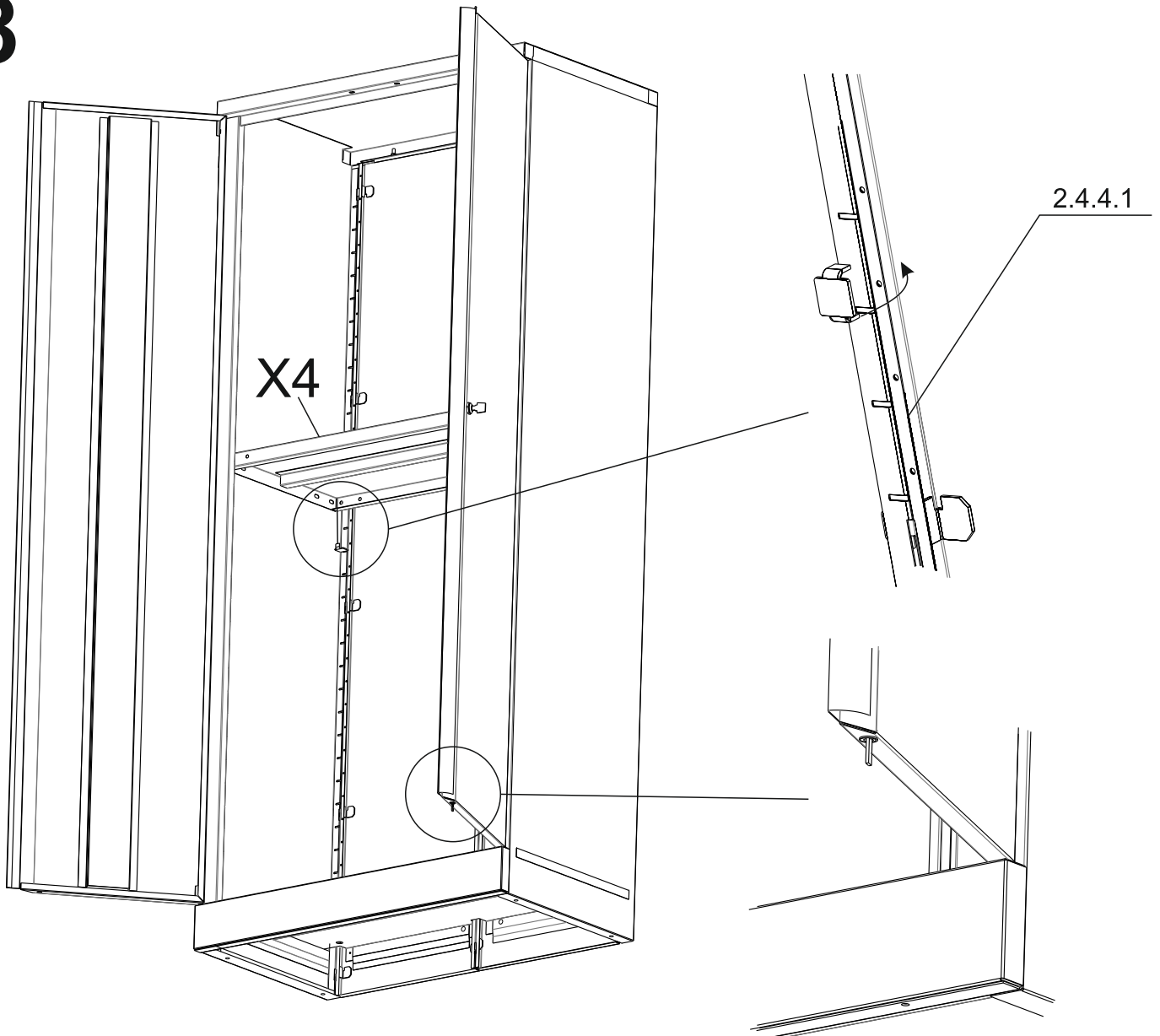
6



7



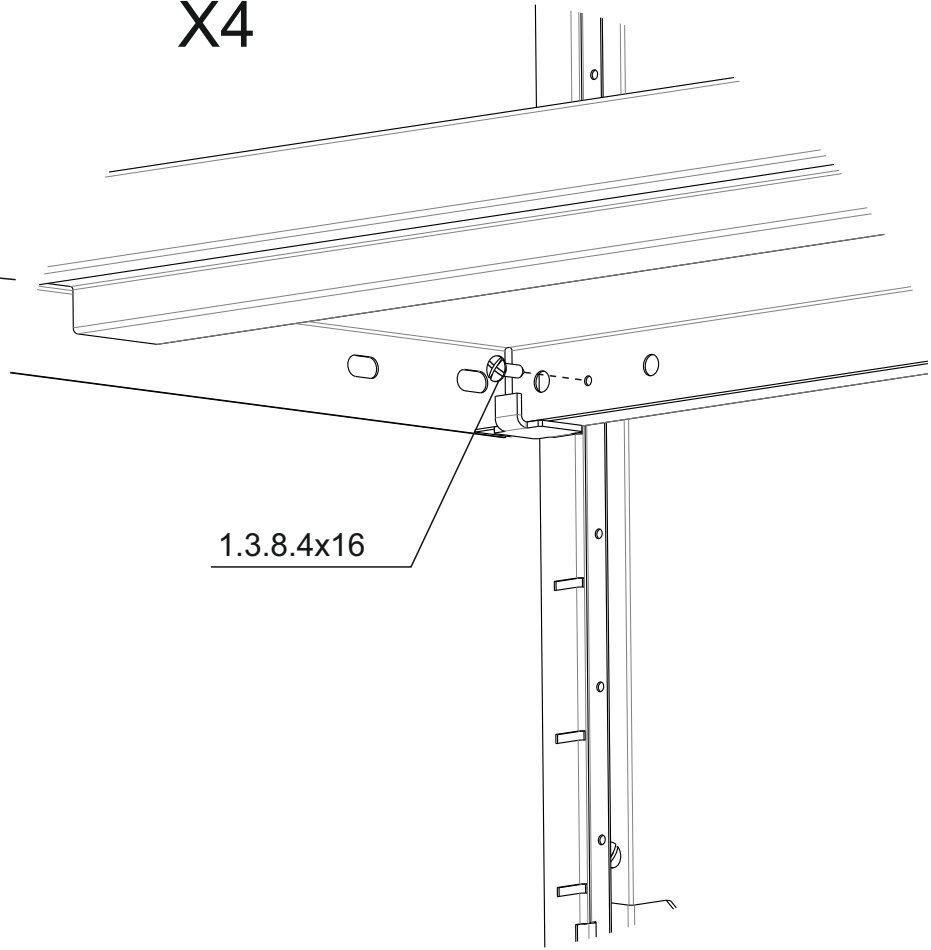
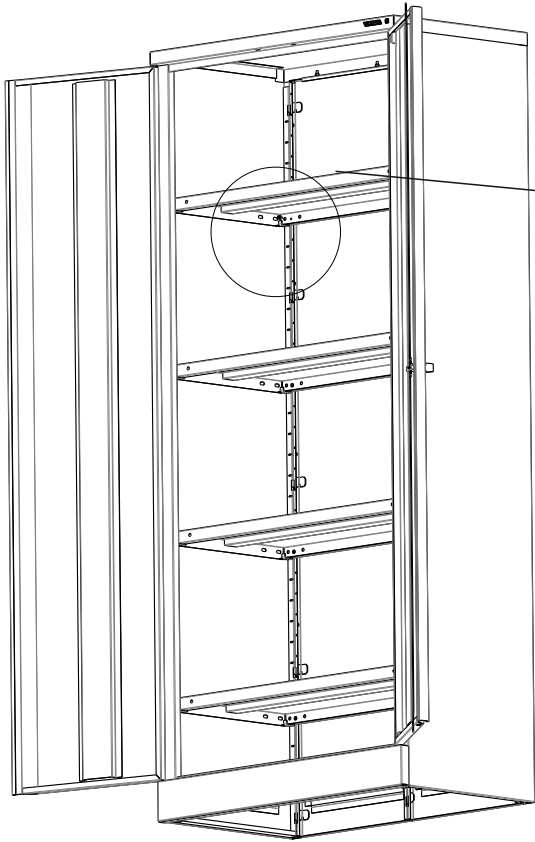
8



9



X4



10

