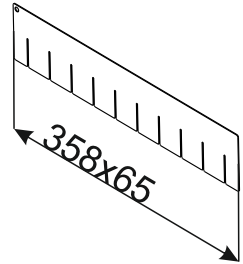
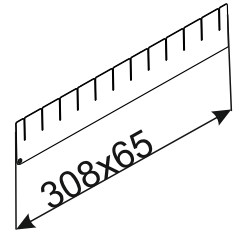


D-6/sh

x2

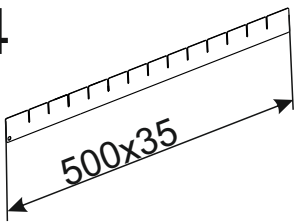


x4

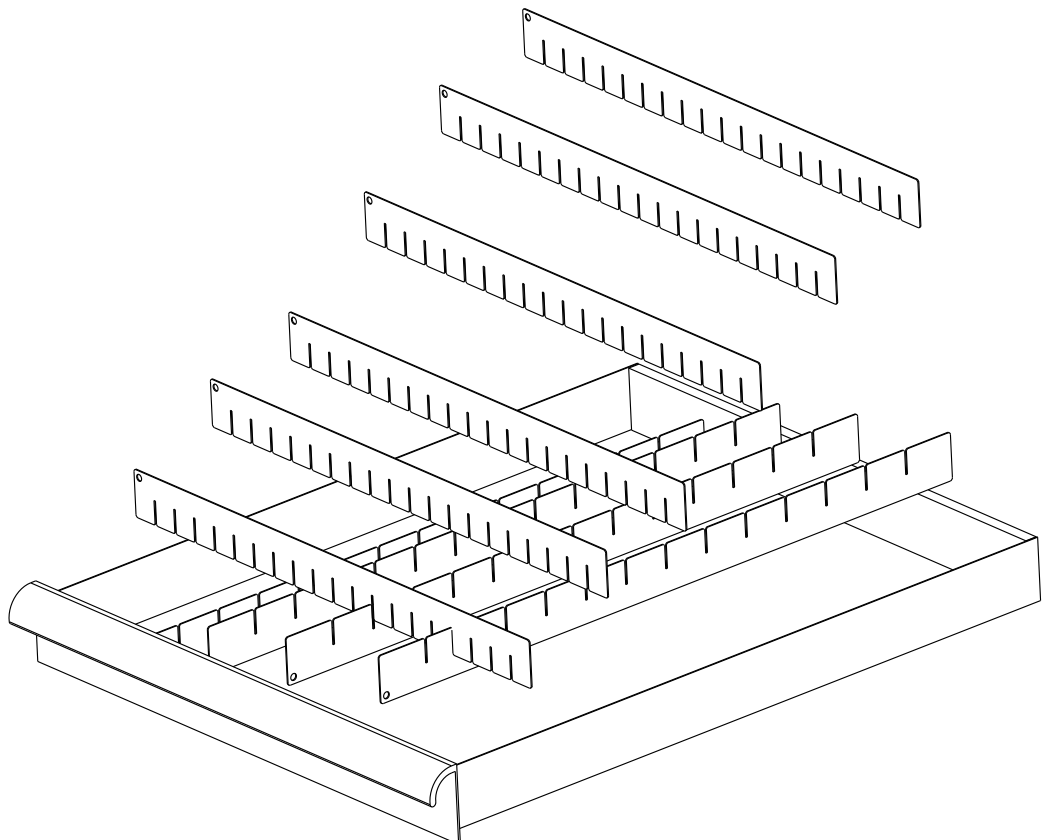
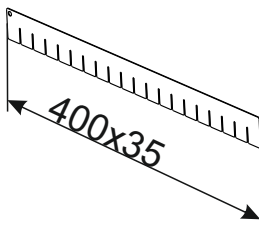


D-10/A

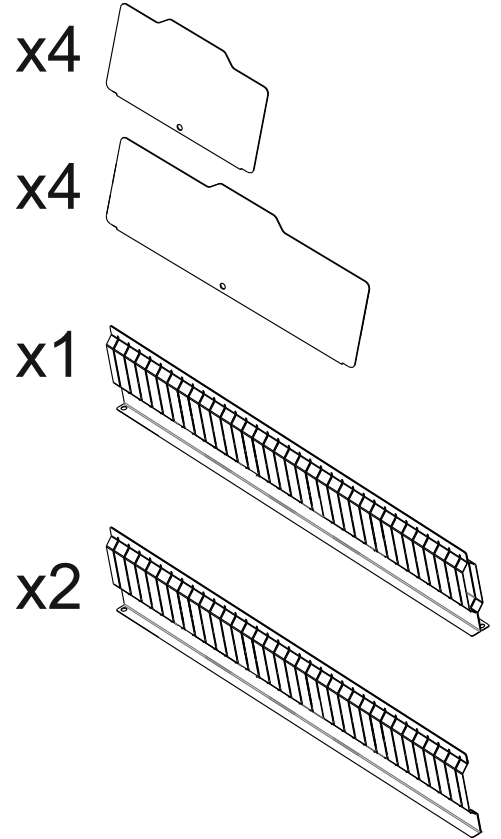
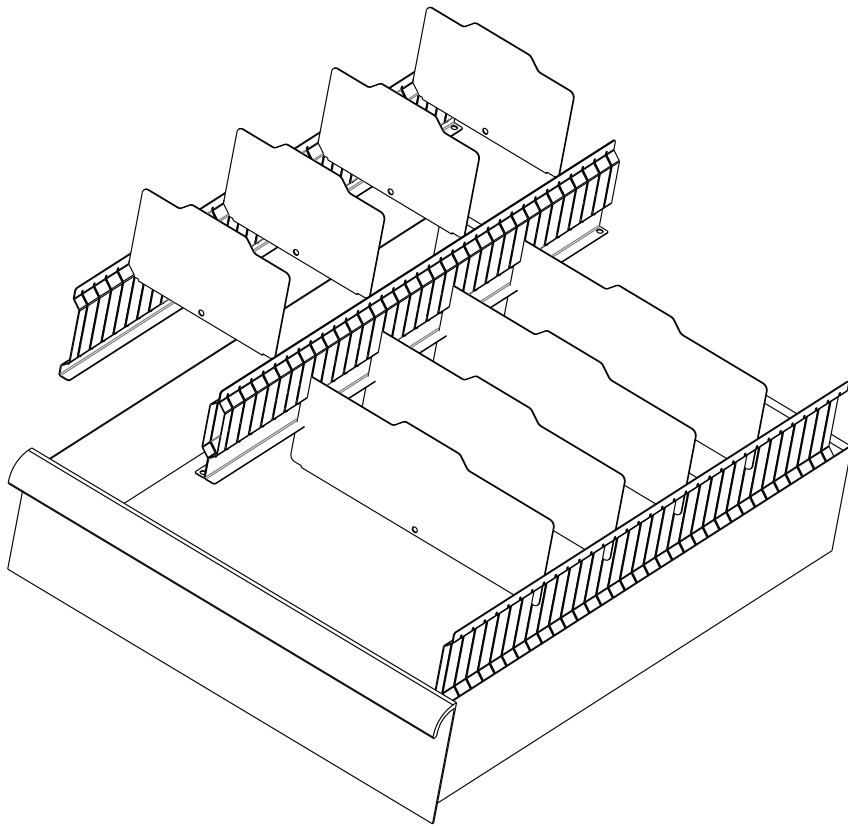
x4



x6



D-11/B



D-16/B

