

Laboratory furniture

VIKING LAB



LABORATORY FURNITURE

VIKING LAB

Dipaul has been designing and manufacturing furniture with metal frames under Viking brand for more than 20 years.

Now, Viking department operates from a 7000 square metre factory base near St. Petersburg with the most up to date machinery, tooling and craftsmanship available in today's furniture market. Our company produces various lines of furniture for clients from many industries (including chemical and pharmaceutical one). Dipaul is currently a recognized leader in the Russian and GIS market.

**VIKING LAB furniture
is a perfect choice
for any type of laboratory.**

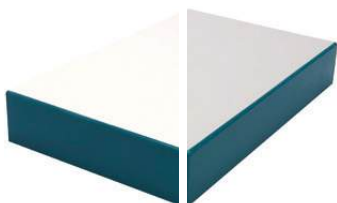




SURFACE MATERIALS



Laminated particleboard (chipboard) is resistant to short-term exposure to alkalis, organic solvents and concentrated acids.



HPL is made of resin impregnated cellulose layers that are consolidated under heat and high pressure and glued to particleboard (chipboard). It has special performance properties including chemical, fire, impact and wear resistance and has low water and vapor absorption. HPL is not resistant to concentrated acids and their vapors.



Polypropylene (PP) is highly resistant to concentrated inorganic acids (sulfuric, hydrochloric, hydrofluoric, nitric) and their vapors. It is also water resistant and has low water absorption. PP can withstand rapid changes in temperature.



Stainless steel is resistant to organic solvents and concentrated acids, except hydrochloric acid and alkalis. Our furniture from stainless steel is an ideal choice for cleanrooms.



NATURAL GRANITE is a strong and durable natural stone. The material is resistant to high temperatures and humidity, has a low wear (abrasion) rate of 0.4 g/cm². Average density: 2710 kg/m³ Thickness: 30 mm.



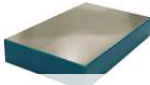
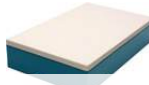




Porcelain stoneware is an artificial stone. Resistant to alkalis, organic solvents and concentrated acids, except hydrofluoric acid. It has high durability and low water absorption. This material is wear and heat resistant (even at T > 180°C) and can withstand rapid changes in temperature.



CERAMIC GRANITE PRO is a 20 mm thick monolithic slab, which has high strength and low water absorption. This material is wear and heat resistant (even at T > 180°C) and can withstand rapid changes in temperature. It is resistant to alkalis, organic solvents and concentrated acids, except hydrofluoric acid.

CHEMICAL RESISTANCE CHART

№	Chemical						
		Laminated particleboard	HPL+	PP	Porcelain	Stainless steel	Natural granite
01	Nitric acid (65%)	●●●	●●	●●●	●	●	●
02	Nitric acid (10%)	●●●●	●	●	●	●●●	●
03	Sulfuric acid (96%)	●●●●	●●	●	●	●	●
04	Sulfuric acid (10%)	●●●	●	●	●	●●●●	●
05	Nitric & Sulfuric acid (1:3)	●●●	●●	●●●	●	●	●
06	Hydrofluoric acid (37%)	●●●	●●●	●●	●●●	●●●	●●●●
07	Hydrochloric acid (37%)	●●●	●	●	●	●●●	●
08	Hydrochloric acid (10%)	●●●	●	●	●	●●●	●
09	Orthophosphoric acid (73%)	●●●	●	●	●	●	●
10	Chromic acid (60%)	●●●	●●	●	●	●●●	●
11	Sodium dichromate	●	●	●	●	●	●
12	Sodium dichromate + aqueous sulfuric acid	●●●	●	●	●	●	●
13	Ammonia (28%)	●	●	●	●	●	●
14	Trichloroacetic acid	●●●	●	●	●	●	●
15	Acetic acid	●●	●	●	●	●	●
16	Hydrogen peroxide (33%)	●●	●	●	●	●	●
17	Sodium hydroxide (50%)	●	●	●●	●	●	●
18	Sodium hydroxide (10%)	●	●	●●	●	●	●
19	Potassium hydroxide (50%)	●●	●	●●	●	●	●
20	Potassium hydroxide (10%)	●	●	●	●	●	●
21	Acetone	●	●●	●	●	●	●
22	Toluene	●	●●	●●	●	●	●
23	Hexane	●	●	●●	●	●	●
24	Dioxane	●	●	●●	●	●	●
25	Butyl acetate, white spirit, o-Xylene (1:1:1)	●	●	●●	●	●	●
26	Benzene	●	●●	●	●	●	●
27	Dichloroethane	●	●	●	●	●	●
28	Dichloromethane	●	●	●●	●	●	●
29	Butanone (methyl ethyl ketone)	●	●	●	●	●	●
30	Carbon tetrachloride (tetrachloromethane)	●	●	●●	●	●	●
31	Dimethylformamide	●	●	●	●	●	●
32	Potassium permanganate (solution)	●●	●●●	●●	●	●●	●
33	Iodine	●●●	●●	●●	●	●●●	●
34	Bromophenol blue (0,1%)	●●●	●	●	●	●	●
35	Methyl red (0,1%)	●●●	●●	●	●	●	●
36	Methyl orange (0,1%)	●●●	●	●●	●	●	●
37	Methylene blue (Methylthionium chloride) (0,1%)	●●●	●●	●	●	●	●
38	Phenolphthalein (0,1%)	●	●	●	●	●	●
Wear resistance (scratch hardness)		●●●	●●	●●●●	●	●	●
Impact resistance		●●●	●	●●	●	●	●
100 °C		●●●	●	●●●	●	●	●
150 °C		●●●●	●	●●●●	●	●	●
200 °C			●●●		●	●	●
300 °C			●●●●		●	●	●

●●●● — Some damage ●●● — Clearly visible stain ●● — Barely visible stain ● — Resistance

FUME HOODS LLC VIKING LAB

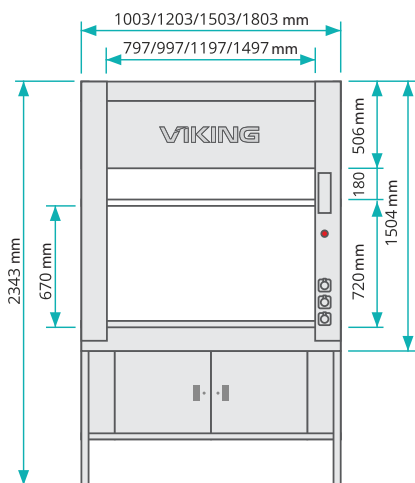
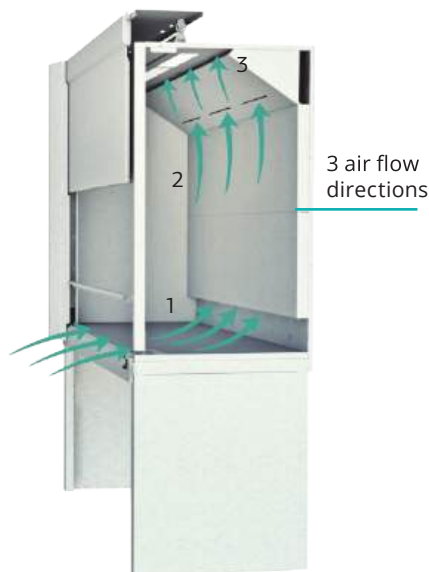
Fume hoods are designed to capture, contain, and exhaust hazardous fumes, vapors or dusts generated inside their enclosure.

They are designed to keep laboratory professionals safe while working with hazardous materials.

Fume hoods LLC consist from 2 parts:

Chemical resistant metal body (RAL9010) with 3 air flow directions which is delivered completely assembled. There are different countertop materials you can choose from.

Heavy-duty metal base stand with height adjustment 650-900 mm and max. load 300 kg.



The fume hood has a 200 mm diameter exhaust collar in the upper part of the body for connection to ventilation system.

ARTICLE		DIMENSIONS (W×D×H),MM	COUNTERTOP MATERIAL
LLC-10-7 LAB RAL9010	LLC-W-10-7 LAB RAL9010	1000 × 700 × 2340	laminated particleboard, HPL, HPL PLUS, stainless steel, PP, porcelain stoneware, porcelain stoneware PRO
LLC-12-7 LAB RAL9010	LLC-W-12-7 LAB RAL9010	1200 × 700 × 2340	
LLC-15-7 LAB RAL9010	LLC-W-15-7 LAB RAL9010	1500 × 700 × 2340	
LLC-18-7 LAB RAL9010	LLC-W-18-7 LAB RAL9010	1800 × 700 × 2340	

LLC fume hoods come in 2 versions:



Fume hood with **side windows** LLC-W



Fume hood with **solid walls**

BASIC VERSION

- Sash window of tempered 5mm glass
- 220V grounded IP54 sockets (3 pieces)
- Steel flange Ø200 mm

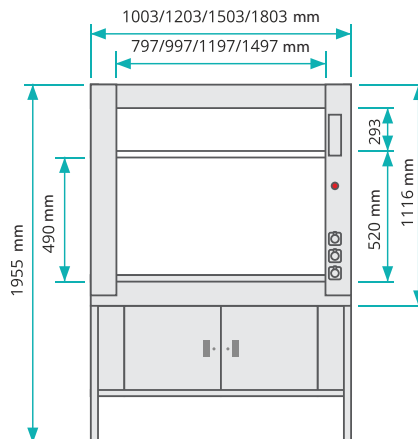
AVAILABLE OPTIONS

- Metal storage units TB-10/12/15/18-7 LAB RAL 9010
- Set for storage unit venting ESC-LLC LAB RAL 9010
- Spill containment lip FS-LLC LAB
- LED unit for fume hood IP66 910 mm
- LED unit for fume hood IP66 1210 mm
- Lab PP sink 300×150 mm
- CS-1 LAB Installation kit (valve, siphon, hose)
- Additional IP54 socket 220V
- Automatic transfer switch: 10 or 16A
- Ground-Fault Circuit Interrupter 16 or 25A
- Leveling feet

FUME HOODS LLC COMPACT



A distinctive feature of LLC compact fume hoods is 1995 mm height, what means that they are a good solution for laboratories with low ceilings or mobile laboratories



Fume hoods LLC compact consist from 2 parts:

Chemical resistant metal body (RAL9010) with 3 air flow directions which is delivered completely assembled. There are different countertop materials you can choose from.

Heavy-duty metal base stand with height adjustment 650-900 mm and max. load 300 kg

The fume hood has a 200 mm diameter exhaust collar in the upper part of the body for connection to ventilation system. Metal storage unit is an option.

BASIC VERSION

- Sash window of tempered 5mm glass
- 220V grounded IP54 sockets (3 pieces)
- Steel flange Ø200 mm

AVAILABLE OPTIONS

- Metal storage units TB-10/12/15/18-7 LAB RAL 9010
- Set for storage unit venting ESC-LLC LAB RAL 9010
- Spill containment lip FS-LLC LAB
- LED unit for fume hood IP66 910 mm
- LED unit for fume hood IP66 1210 mm
- Lab PP sink 300×150 mm
- CS-1 LAB Installation kit (valve, siphon, hose)
- Additional IP54 socket 220V
- Automatic transfer switch: 10 or 16A
- Ground-Fault Circuit Interrupter 16 or 25A
- Leveling feet

ARTICLE	DIMENSIONS (W×D×H),MM	COUNTERTOP MATERIAL
LLC-10-7 Compact LAB RAL9010	1000 × 700 × 2340	laminated particleboard, HPL, HPL PLUS, stainless steel, PP, porcelain stoneware, porcelain stoneware PRO
LLC-12-7 Compact LAB RAL9010	1200 × 700 × 2340	
LLC-15-7 Compact LAB RAL9010	1500 × 700 × 2340	
LLC-18-7 Compact LAB RAL9010	1800 × 700 × 2340	

FUME HOODS LLC VIKING LAB WITH PP INTERIOR



Fume hoods LLC-MPP VIKING LAB with PP interior are designed to protect the operator from harmful factors when working with particularly aggressive chemical substances - concentrated acids and alkalis, including such inorganic concentrated acids such as nitric acid, sulfuric, hydrochloric, hydrofluoric acids and their vapors.

There are no corrosive parts in the fume hood chamber, there are no parts subject to corrosion. All parts of the body are corrosion resistant.

Fume hoods LLC-MPP consist from 2 parts:

Chemical resistant metal body (RAL9010) with 3 air flow directions which is delivered completely assembled. The interior is made of PP

Heavy-duty metal base stand with height adjustment 650-900 mm and max. load 300 kg.

The fume hood has a 200 mm diameter exhaust collar in the upper part of the body for connection to ventilation system. Metal storage unit is an option.

BASIC VERSION

- Sash window of tempered 5mm glass
- 220V grounded IP54 sockets (3 pieces)
- PP flange Ø200 mm
- Spill containment lip of countertop

AVAILABLE OPTIONS

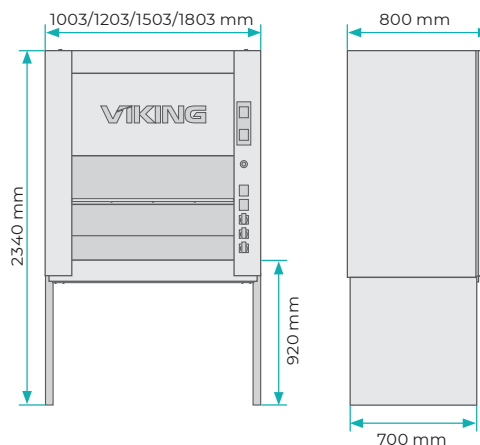
- Metal storage units TB-10/12/15/18-7 LAB RAL 9010
- Vent kit for storage unit ESC-LLC LAB RAL 9010
- LED unit for fume hood IP66 910 mm
- LED unit for fume hood IP66 1210 mm
- Lab PP sink 300×150 mm
- CS-1 LAB Installation kit (valve, siphon, hose)
- Additional IP54 socket 220V
- Automatic transfer switch: 10 or 16A
- Ground-Fault Circuit Interrupter 16 or 25A
- Leveling feet

ARTICLE	DIMENSIONS (W×D×H), MM	HEIGHT, MM	COUNTERTOP MATERIAL
LLC-MPP-12-7 LAB RAL9010	1200 × 700	2340	PP
LLC-MPP-15-7 LAB RAL9010	1500 × 700		
LLC-MPP-18-7 LAB RAL9010	1800 × 700		
LLC-MPP-12-7 Compact LAB RAL9010	1200 × 700	1955	
LLC-MPP-15-7 Compact LAB RAL9010	1500 × 700		
LLC-MPP-18-7 Compact LAB RAL9010	1800 × 700		

FUME HOODS LLC-MF VIKING LAB FOR MUFFLE FURNACE



Fume hoods LLC-MF VIKING LAB are the right choice if you are going to place a muffle furnace or a dry cabinet in a fume hood.



Fume hoods LLC-MF consist from 2 parts:

Chemical resistant metal body (RAL9010) with 1 air flow direction is delivered completely assembled. The countertop is made of porcelain stoneware.

Heavy-duty metal base stand with hight ajustement 650-900 mm and max. load 300 kg.

The fume hood has a 200 mm diameter exhaust collar in the upper part of the body for connection to ventilation system.

The muffle furnace comes with grounded IP 54 sockets

BASIC VERSION

- IP54 220V gounded sockets (3 pieces)
- Steel flange Ø200 mm

AVAILABLE OPTIONS

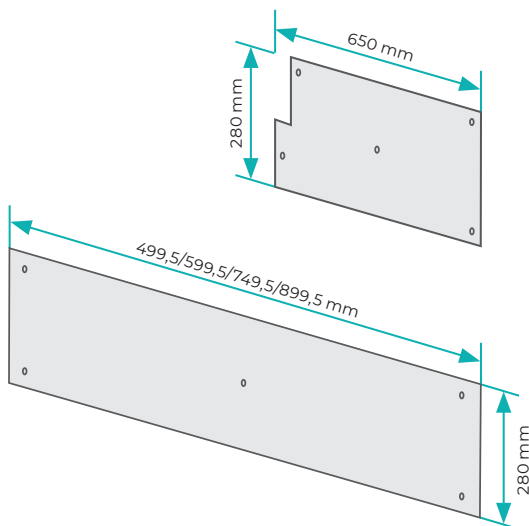
- Sash window of tempered 5mm glass
- Metal storage units TB-10/12/15/18-7 LAB RAL 9010
- Spill containment lip FS-LLC LAB
- LED unit for fume hood IP66 910 mm
- LED unit for fume hood IP66 1210 mm
- Additional IP54 socket 220V
- Automatic transfer switch: 10 or 16A
- Ground-Fault Circuit Interrupter 16 or 25A
- Leveling feet

ARTICLE	DIMENSIONS (W×D×H),MM	COUNTERTOP MATERIAL
LLC-MF-10-7 LAB RAL9010	1000 × 700 × 2340	porcelain stoneware
LLC-MF-12-7 LAB RAL9010	1200 × 700 × 2340	
LLC-MF-15-7 LAB RAL9010	1500 × 700 × 2340	
LLC-MF-18-7 LAB RAL9010	1800 × 700 × 2340	

SET OF PP PROTECTION PANELS



This invention
is protected



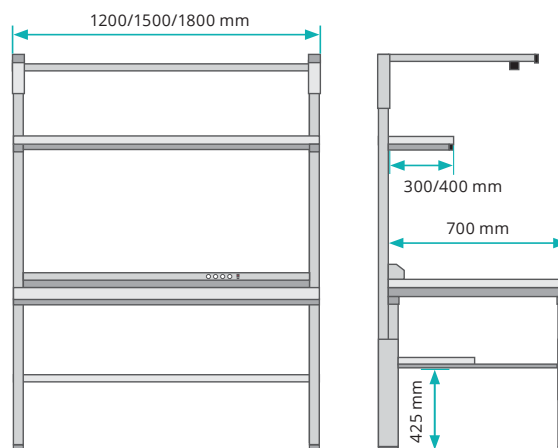
Set consists from...

- Size of the side panel: 650 × 280 mm.
- Size of the back panels: 499,5 / 599,5 / 749,5 / 899,5 × 280 mm.
- Side panel
- 2 back panels
- Steel holder (RAL 9010)

ARTICLE	WIDTH, MM	MATERIAL
1/2 IPC-LLC-1X/L LAB RAL9010 (left)	1000, 1200, 1500, 1800	PP
1/2 IPC-LLC-1X/R LAB RAL9010 (right)		

LABORATORY WORKBENCHES CLASSIC LAB

Classic Lab workbenches feature a sturdy metal frame, which is coated with chemically resistant paint. You can choose material of the tabletop from 7 options. Classic lab workbenches can be complemented with additional shelves. Height adjustment: from 650 to 900 mm. Maximum load: 300 kg

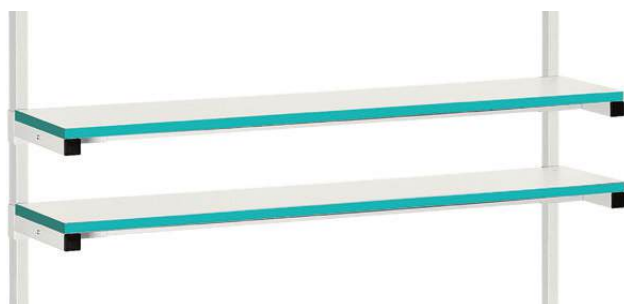


Additional elements

- Laboratory drawer unit (s. page 24)
- Elevated shelves
- Corner workbench (return) LAB RAL9010, 1200 × 500mm
- Lower shelf PO/2 (depth: 300/400 mm, max. load 100 kg)
- Spill containment lip made of stainless steel B-xx-7 LAB
- Leveling feet K-SR

ARTICLE	D×W, MM	TABLETOP MATERIAL
SR-10-7 Classic LAB RAL 9010	1000 × 700	laminated particleboard, HPL, HPL PLUS, stainless steel, PP, porcelain stoneware, porcelain stoneware PRO
SR-12-7 Classic LAB RAL 9010	1200 × 700	
SR-15-7 Classic LAB RAL 9010	1500 × 700	
SR-18-7 Classic LAB RAL 9010	1800 × 700	

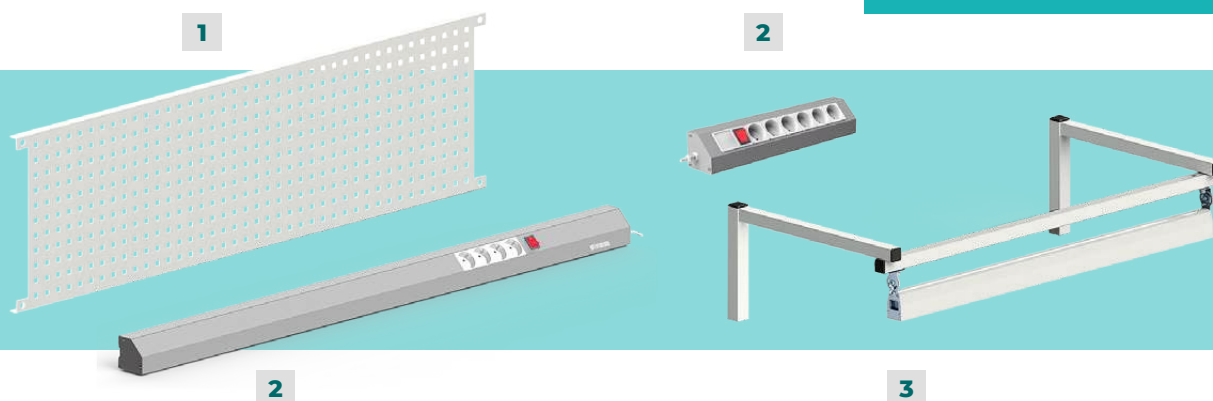
ELEVATED SHELVES



Elevated shelves Classic Lab come as a set with one or two 300 or 400 mm deep shelves. Maximum load is 50 kg

MAIN SHELF BASE	ADDITIONAL SHELF BASE	SHELF, D×W, MM	SHELF MADE OF...
PO-10 LAB RAL9010	PO-10/1 LAB RAL9010	1000 × 300 / 1000 × 400	laminated particleboard, HPL, HPL PLUS, PP
PO-12 LAB RAL9010	PO-12/1 LAB RAL9010	1200 × 300 / 1200 × 400	
PO-15 LAB RAL9010	PO-15/1 LAB RAL9010	1500 × 300 / 1500 × 400	
PO-18 LAB RAL9010	PO-18/1 LAB RAL9010	1800 × 300 / 1800 × 400	

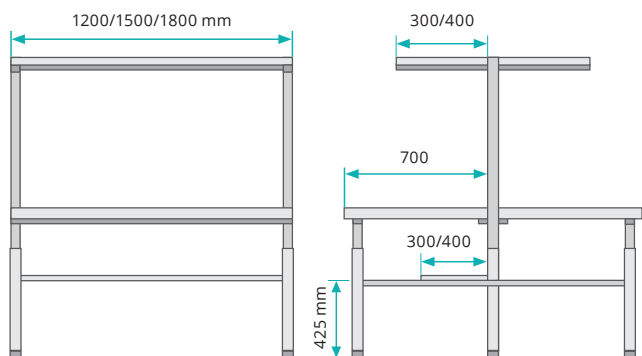
Additional elements



No	PRODUCT NAME	ARTICLE	WIDTH, MM
1	Steel perforated panel	PPF-x LAB RAL9010, 1/2 PPF-x RAL9010	1000/1200/1500/1800
2	Power panel (service duct)	EPA-x, 1/2 EPA-x, EPK-01 RAL 7035	1000/1200/1500/1800
3	Lighting	DL-x/C2 Classic LAB RAL9010	1000/1200/1500/1800
	Lighting with dimmer	DL-x/C2-Д Classic LAB RAL9010	1000/1200/1500/1800

LABORATORY DOUBLE-SIDED WORKBENCHES CLASSIC LAB

Classic Lab double-sided workbenches feature a sturdy metal frame, which is coated with chemically resistant paint. You can choose material of the table top from 7 options. Height adjustment: from 650 to 900 mm. Maximum load: 300 kg. Classic Lab double-sided workbenches come with an elevated shelf.



Additional elements

- Laboratory drawer unit (s. page 24)
- Elevated shelves
- Lower shelf PO/2 (depth: 300/400 mm, max. load 100 kg)
- Spill containment lip made of stainless steel B-xx-7 LAB
- Connecting plate for double-sided workbenches CH-O LAB RAL9010
- Leveling feet K-SR

ARTICLE	D×W, MM	TABLETOP MATERIAL
SO-10-7 Ostrov LAB RAL9010	1000 × 1400	laminated particleboard, HPL, HPL PLUS, stainless steel, PP, porcelain stoneware, porcelain stoneware PRO
SO-12-7 Ostrov LAB RAL9010	1200 × 1400	
SO-15-7 Ostrov LAB RAL9010	1500 × 1400	
SO-18-7 Ostrov LAB RAL9010	1800 × 1400	

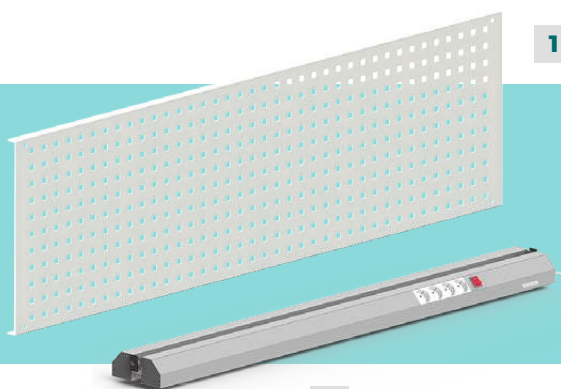
ELEVATED SHELVES



Classic Lab double-sided workbenches come with an elevated shelf or with 2 shelves (the second one is an option), which can be 300 or 400 mm deep. Maximum load is 50 kg

MAIN SHELF BASE	D×W, MM	SHELF MADE OF...
PO-O-10/1 LAB RAL9010	1000 × 300 / 1000 × 400	laminated particleboard, HPL, HPL PLUS, PP
PO-O-12/1 LAB RAL9010	1200 × 300 / 1200 × 400	
PO-O-15/1 LAB RAL9010	1500 × 300 / 1500 × 400	
PO-O-18/1 LAB RAL9010	1800 × 300 / 1800 × 400	

Additional elements



1

2

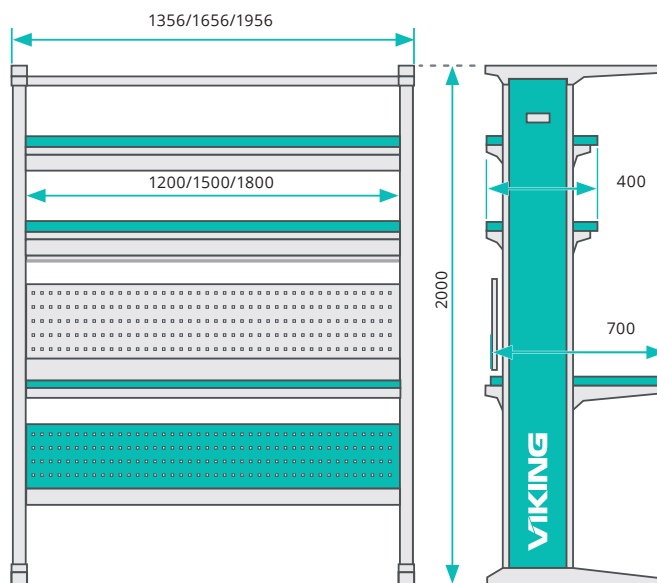


3

No	PRODUCT NAME	ARTICLE	WIDTH, MM
1	Steel perforated panel	PFP-O-x LAB RAL9010	1000/1200/1500/1800
2	Power panel (service duct)	EPA-O-x	1000/1200/1500/1800
3	Lighting	DL-O-x/C2 Ostrov LAB RAL9010	1000/1200/1500/1800
	Lighting with dimmer	DL-O-x/C2-D Ostrov LAB RAL9010	1000/1200/1500/1800

LABORATORY WORKBENCHES GAMMA LAB WITH ELEVATED SHELVES

Gamma Lab workbenches feature a sturdy metal frame, which is coated with chemically resistant paint. Height adjustment: from 740 to 860 mm. Maximum load: 200 kg. You can choose material of the table top from 6 options and one of the shelf from 4 options. Gamma lab workbenches come with lighting and power panel (service duct) with 1 ungrounded and 5 grounded sockets.



ARTICLE	DIMENSIONS, W×D×H, MM	POWER PANEL (SERVICE DUCT)	TABLETOP MATERIAL
GM-12-7/x Gamma VIKING LAB RAL9010	1356 × 700 × 2000	on the right / left side	laminated particleboard, HPL, HPL PLUS, PP, porcelain stoneware, porcelain stoneware PRO
GM-15-7/x Gamma VIKING LAB RAL9010	1656 × 700 × 2000		
GM-18-7/x Gamma VIKING LAB RAL9010	1956 × 700 × 2000		

Additional Elements

- Laboratory drawer unit (s. page 24)
- Additional shelf base
- 400 mm wide additional shelf (laminated particleboard, HPL, HPL PLUS, PP)
- Tilting lighting (10°). Size: 748 × 50 × 177 mm
- Power panel (service duct): full length and half-size featuring 4 grounded sockets, power switch and 3m long cable
- Options: additional sockets, automatic transfer switch, telephone socket, residual-current device.

BALANCE TABLE SVK LAB

Balance table SV/G-6-5 LAB features a sturdy metal frame, which is coated with chemically resistant paint. Height adjustment: from 650 to 900 mm. Maximum load: 300 kg.



ARTICLE	DIMENSIONS, W×D, MM	TABLETOP MATERIAL
SV/G-6-5 LAB	600 × 500	granite



Balance table SVK-x-7 LAB consists from balance table CB/G-6-5 LAB (s. above) and versatile table. It features a sturdy metal frame, which is coated with chemically resistant paint. Height adjustment: from 650 to 900 mm. Maximum load: 300 kg.

ARTICLE	DIMENSIONS, W×D, MM	TABLETOP MATERIAL	PLACE OF SV/G-6-5 LAB
SVK-12-7/L LAB RAL 9010	1200x700	laminated particleboard, HPL, HPL PLUS	on the right / left side (PR / L)
SVK-12-7/PR LAB RAL 9010	1200x700		
SVK-15-7/L LAB RAL 9010	1500x700		
SVK-15-7/PR LAB RAL 9010	1500x700		

Leveling feet - s. page 29

LABORATORY SINKS WITH BASE CABINET

Laboratory sinks with base cabinet are height adjustable (from 650 to 950 mm). The base is made of steel, which is coated with chemically resistant paint. Work surface is made of stainless steel. The height of the sink is 200 mm. Base cabinets are designed for 1 or 2 sinks.



ARTICLE	W×D, MM	NUMBER OF SINKS	WORK SURFACE
SM-6,5-7 LAB RAL9010	650 × 700	1	stainless steel
SM-12-7 LAB RAL9010 L left	1200 × 700	1	
SM-12-7 LAB RAL9010 R right	1200 × 700	1	
SM-12-7 LAB RAL9010 C middle	1200x700	1	
SM-12-7 LAB RAL9010 D double	1200x700	2	
SM-14-7 LAB RAL9010 L left	1434x700	1	
SM-14-7 LAB RAL9010 R right	1434x700	1	
SM-14-7 LAB RAL9010 C middle	1434x700	1	
SM-14-7 LAB RAL9010 D double	1434x700	2	

Additional elements

- CS-1 LAB Installation kit (valve, siphon, hose), basin mixer
- Eyewash station
- Plastic drying rack
- Perforated panels PFP-xxxx LAB RAL 9010, 1/2 PFP-xxxx LAB RAL 9010
- Leveling feet, s. page 29



Laboratory sinks with base cabinet are height adjustable (from 750 to 900 mm). The base is made of steel which is coated with chemically resistant paint. The inset doors are complemented by magnetic catches. Work surface is made of stainless steel. The height of the sink is 200 mm. Base cabinets are designed for 1 or 2 sinks.

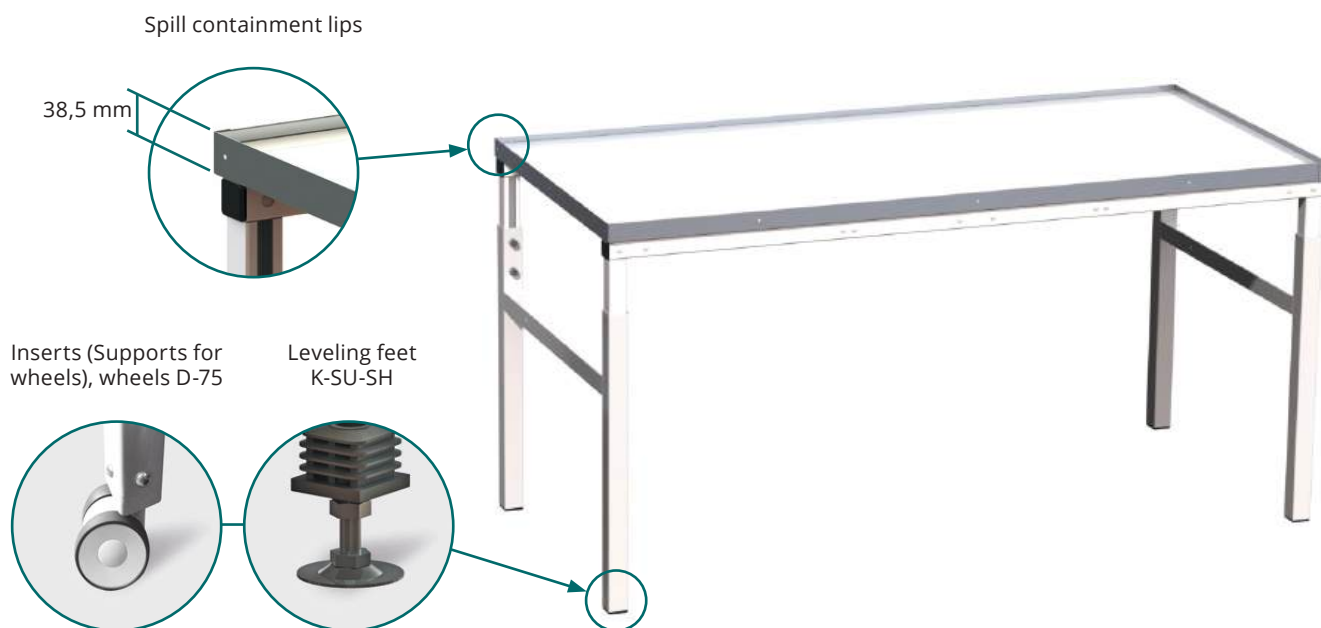


ARTICLE	W×D, MM	NUMBER OF SINKS	WORK SURFACE
GM-SM-7,3-7 LAB RAL9010	730 × 700	1	stainless steel
GM-SM-12-7 LAB RAL9010 C middle	1200 × 700	1	
GM-SM-12-7 LAB RAL9010 D double	1200 × 700	2	
GM-SM-12-7 LAB RAL9010 L left	1200 × 700	1	
GM-SM-12-7 LAB RAL9010 R right	1200 × 700	1	
GM-SM-14-7 LAB RAL9010 C middle	1400 × 700	1	
GM-SM-14-7 LAB RAL9010 D double	1400 × 700	2	
GM-SM-14-7 LAB RAL9010 L left	1400 × 700	1	
GM-SM-14-7 LAB RAL9010 R right	1400 × 700	1	

Additional elements

- CS-1 LAB Installation kit (valve, siphon, hose), basin mixer
- Eyewash station
- Plastic drying rack
- Leveling feet, s. page 29

UNIVERSAL (VERSATILE) LABORATORY TABLES



Our universal (versatile) laboratory tables can't be complemented by elevated shelves. Optional wheels can provide them mobility. You can create a gap-free working area if a corner table (s. next page) is also ordered.

Additional elements

- Laboratory drawer units
- Spill containment lip made of stainless steel B-xx-yy LAB
- Inserts (Supports for wheels), wheels D-75
- Leveling feet K-SU-SH

ARTICLE	WIDTH, MM	DEPTH, MM	TABLETOP MATERIAL
SU-10-x Universal LAB RAL9010	1000	500/700/900	laminated particleboard, HPL, HPL PLUS, PP, porcelain stoneware, porcelain stoneware PRO
SU-12-x Universal LAB RAL9010	1200		
SU-15-x Universal LAB RAL9010	1500		
SU-18-x Universal LAB RAL9010	1800		

LABORATORY CORNER TABLE

Corner tables USS-SU-7 LAB are perfect for creating a gap-free working area. You can choose material of the table top from 4 options.



COMPUTER TABLE

Computer table SK-01 Lab is a functional and practical piece of furniture that serves as a dedicated workspace for a computer and other related equipment. It comes with four 75 mm wheels (two of them with brakes).



No	ARTICLE	DIMENSIONS, W×D×H, MM	TABLETOP MATERIAL
1	USS-SU-7 LAB RAL9010	1050 × 700 × (670-900)	laminated particleboard, HPL, HPL PLUS, PP
2	SK-01 computer table LAB RAL9010	900 × 700 × (785-1040)	laminated particleboard

Additional elements

- EPA-SK Power panel (service duct) for SK-01

LABORATORY MOVABLE TABLES AND TROLLEYS



1 2

These tables and trolleys are designed for moving small quantities of goods in a safe way. They feature a sturdy metal frame, which is coated with chemically resistant paint. The tables come with four 75 mm wheels (two of them with brakes). The shelves are height adjustable. Maximum load for Gamma LAB products: 200 kg, for other articles - 150 kg.



3



4

PRODUCT NAME	№	ARTICLE	DIMENSIONS, W×D×H, MM	TABLETOP MATERIAL
Movable table	1	PS-07 LAB RAL9010	710 × 515	laminated particleboard, HPL, HPL PLUS
	2	PS-10 LAB RAL9010	1000 × 700	
	3	PS-15 LAB RAL9010	1500 × 700	
Movable table Gamma LAB	4	GM-PS LAB RAL9010	700 × 570 × 910	
Trolley	5	ST-05 LAB RAL9010	600 × 510 × 1640	laminated particleboard
	6	ST-05 Comfort LAB RAL9010	700 × 470 × 1635	
	7	ST-06 LAB RAL9010	600 × 500 × 1605	steel
Gamma LAB trolley	8	GM-ST LAB RAL9010	750 × 600 × 1960	laminated particleboard, HPL, HPL PLUS



5



6



7



8

Additional elements

- GM-EPAb-PS long power panel (service duct) for Gamma movable table
- GM-EPAm-PS small power panel (service duct) for Gamma movable table

ESD CHAIRES & CHANGING ROOM BENCHES

You can find information about these product lines in our main catalog



LABORATORY DRAWER UNITS

Suspended, stationary and movable lab drawer units are made of polymer coated steel.

All drawer units have central lock. Telescopic drawer slide facilitate smooth opening and closing of drawers.

Maximum load for a drawer: 30 kg. All stationary drawer units can be complemented with movable stands.



PRODUCT NAME		ARTICLE	DIMENSIONS, W×D×H, MM
Movable drawer unit	1	TP-02/S LAB RAL9010	490 × 635 × 650
	2	TP-01/S LAB RAL9010	490 × 610 × 580
Suspended drawer unit	3	TP-01/P LAB RAL9010	490 × 605 × 354
	4	TP-02/P LAB RAL9010	490 × 605 × 233
	5	TP-10/P LAB RAL9010	490 × 490 × 354
	6	TP-20/P LAB RAL9010	490 × 490 × 233
	7	TPP LAB RAL9010, for sink	490 × 490 × 354
Stationary drawer unit	8	DR-03/1 LAB RAL9010/5021, with 3 drawers	500 × 590 × 800
	9	DR-05/1 LAB RAL9010/5021, with 5 drawers	500 × 590 × 800
	10	DR-07/1 LAB RAL9010/5021, with 7 drawers	500 × 590 × 1040
	11	DR-10/1 LAB RAL9010/5021, with 10 drawers	500 × 590 × 1520
	12	TMB-01/1 LAB RAL9010/5021	500 × 590 × 800
	13	TMB-02/1 LAB RAL9010/5021, with 1 drawer	500 × 590 × 800
	14	TMB-03/1 LAB RAL9010	540 × 500 × 1050

Additional elements

- PPT-01 LAB RAL9010, Movable stand (support) 510 × 600 × 120 mm
- PPT-01 LAB RAL5021, Movable stand (support) 510 × 600 × 120 mm

3



4



5



6



12



8



10



13



9



11



14



LABORATORY STORAGE SOLUTIONS

Metal cabinets are designed for storage of labware, equipment, reagents and documents and laboratory accessories. The shelves are height adjustable in increments of 50 mm. The cabinet comes with central 2 point wardrobe lock (2000 combinations). Labware storage cabinets have door with embedded glass panels. Chemical cabinets come with flange (Ø 100mm) in the top for connection to ventilation system. Chemical cabinets can be complemented with PP spill containment trays. Maximum load for shelf: 30 kg



PRODUCT NAME		ARTICLE	DIMENSIONS, W × D × H, MM
Metal chemical cabinet (option: PP spill containment tray)	1	SHR-1 LAB RAL 9010	1000 × 550 × 1950
		SHR-2 LAB RAL 9010	820 × 450 × 1850
		SHR-3 LAB RAL 9010	512 × 550 × 1950
Metal labware storage cabinets	2	SHLP-1 LAB RAL 9010	1000 × 550 × 1950
		SHLP-2 LAB RAL 9010	820 × 450 × 1850
		SHLP-3 LAB RAL 9010	512 × 550 × 1950
Metal cabinets for equipment and documents	3	SHD-1 LAB RAL 9010	1000 × 550 × 1950
		SHD-2 LAB RAL 9010	820 × 450 × 1850
	4	SHD-3 LAB RAL 9010	820 × 450 × 1000
		SHD-5 LAB RAL 9010	512 × 550 × 1950

Leveling feet help compensate for uneven floor surfaces (s. page 29)

Dry storage cabinets - s. main catalog

Metal wardrobe is designed for storage of cloths and equipment and features a rod. Main feature of tool cabinets is sliding boxes. All cabinets come with central 2 point wardrobe lock (2000 combinations)

Metal shelving units are designed for storage of labware, equipment, reagents and documents and laboratory accessories. The shelves are height adjustable in increments of 50 mm. Maximum load for each shelf: 30 kg



PRODUCT NAME		ARTICLE	DIMENSIONS, W × D × H, MM
Combination steel storage cabinet	5	SHO-1 LAB RAL 9010	1000 × 550 × 1950
		SHO-2 LAB RAL 9010	820 × 450 × 1850
	6	SHO-3 LAB RAL 9010	600 × 500 × 1750
		7	SHK-1 LAB RAL 9010
SHK-2 LAB RAL 9010	820 × 450 × 1850		
Metal tool storage cabinet	8	SHDI-1 LAB RAL 9010	530 × 605 × 1400
Parts storage cabinet (drawer cabinet)	9	SHKH-1 LAB RAL 9010 (30 drawers)	820 × 450 × 1850
		SHKH-2 LAB RAL 9010 (16 drawers)	820 × 450 × 1060
Laboratory shelving	10	STU-01 LAB RAL 9010	820 × 450 × 1850
		STU-05 LAB RAL 9010	1000 × 490 × 1950
Reinforced laboratory shelving	11	STS-12 LAB RAL9010	1200 × 600 × 1800
		STS-15 LAB RAL9010	1500 × 600 × 1800

LABORATORY METAL STORAGE UNIT



This storage units are made of polymer coated steel.

ARTICLE	DIMENSIONS, W×D×H, MM
TB-10-7 LAB RAL 9010	1000 × 700
TB-12-7 LAB RAL 9010	1200 × 700
TB-15-7 LAB RAL 9010	1500 × 700
TB-18-7 LAB RAL 9010	1800 × 700

Additional elements

■ KP-TB LAB RAL9010, shelves for TB LAB

Adjustable expandable shelves for storage units with width from 1200 to 1800 mm.

Set includes: 2 expandable shelves, 2 perforated panels, mountings



■ Set for storage unit venting

110x55 mm rectangular ventilation duct reduces concentration of toxic gases and aerosols that stored chemicals may generate.

ESC-LLC Compact LAB RAL9010 Set for storage unit venting (compatible with Compact fume hood)

ESC-LLC LAB RAL9010, Set for storage unit venting (compatible with other fume hoods).



ADDITIONAL ELEMENTS FOR LABORATORY TABLES AND WORKBENCHES



SUSPENDED COMPUTER CASE SUPPORT (CPU HOLDER) PPS-03 LAB RAL9010/RAL 5021

The CPU holder is a space saving solution designed for both safety and convenience. It can be mounted on the left or right side.

- > 230 × 450 × 470 when folded. Vertical and horizontal clamps can be adjusted.



MOVABLE COMPUTER CASE SUPPORT (MOBILE CPU HOLDER) PPS-01 LAB RAL9010/LAB RAL5021

Movable computer case support (mobile CPU holder) allows for easier transport and adjustments

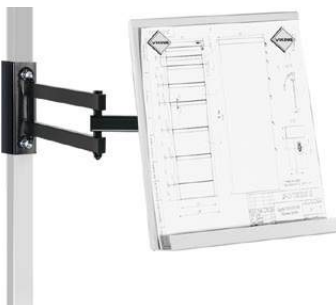
- > 220 × 480 × 150 mm



METAL KEYBOARD SUPPORT (TRAY) PPK-02 LAB RAL9010

This slide-out keyboard tray is made off steel, which is coated with chemically resistant paint. Max. load: 30 kg.

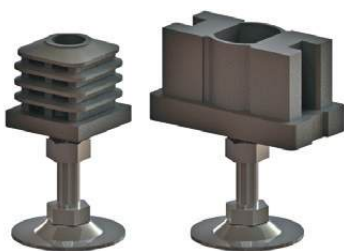
- > 616 × 383 × 135 mm



DRAFT HOLDERS PPCH-01 LAB RAL9010

The holder (swivel arm) comes with two VIKING magnets and requires metal base for shelves to be installed. Max. load: 15 kg.

- > 310 × 430 mm



LEVELING FEET K-SR-SH, K-SU-SH, K-SU-SHD

Leveling feet are used to level furniture on uneven surfaces. The foot comes with bushing insert. Different types of sets are designed for laboratory workbenches, tables, fume hoods, balance tables, base cabinets and storage solutions.

CLEANROOM FURNITURE VIKING LAB

Cleanroom furniture Viking Lab is made of stainless steel.

Tailor-made solutions (different types of stainless steel, perforation design or its absence) can be developed.

ARTICLE	W×D,MM
KR-12	1200 × 700
KR-15	1500 × 700
KR-18	1800 × 700

CLEANROOM TABLES KR

Cleanroom tables with perforations are made of AISI 304 stainless steel.

- Height: 800 mm
- Max. load: 200 kg



STAINLESS STEEL CLEANROOM SHELVING

Standard version features 5 perforated shelves, which aren't height adjustable.

- Max. load: 30 kg
- WxDxH: 600 × 460 × 1850 mm



TROLLEY KP-TT

Cleanroom trolley with two 750 mm long shelves and 4 wheels (two of them with brakes).

- Max. load for each shelf: 40 kg
- WxDxH: 950 × 470 × 1100 mm



CLEANROOM GOWNING BENCH KR-SK

Our gowning bench with shelf is an ergonomic sitting solution for your cleanroom.

- Max. load: 160 kg
- WxDxH: 1000×300×480 mm



Laboratory furniture

VIKING LAB



Subsidiary in Turkey
NS LAB TEKNOLOJİK
MOBİLYA VE EKİPMAN
ÜRETİM ANONİM ŞİRKETİ
İstanbul Türkiye

Tel: +90 530 579 7341
info@nslabtech.com
www.viking-esd.com

 **DIPAUL**

Headquarters
Bolshaya Monetnaya str.,
16, bldg. 30, lit. A, 197101,
St. Petersburg, Russia
Tel: +7 812 702 1266
vkg@dipaul.ru
www.vkg.ru

ID-15-10-2024-01